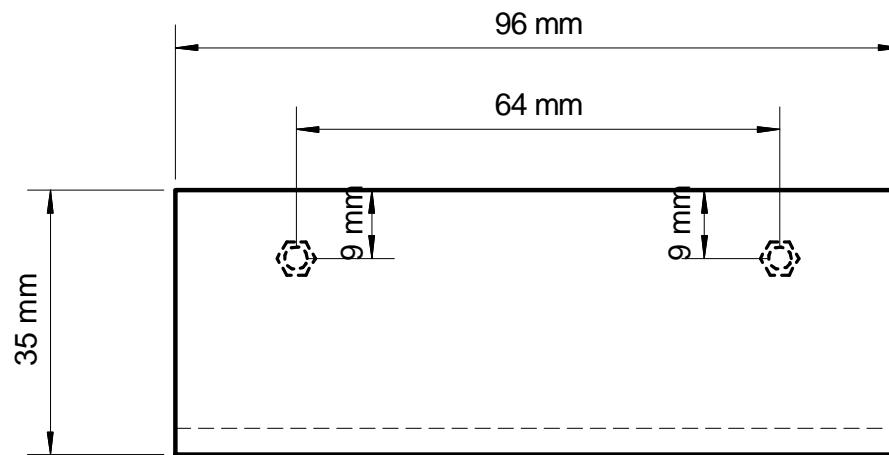


Side View 1:1



**Example DL408.96A**

Top View 1:1

Code	Number of holes	Hole Diam ( mm )	Hole Depth ( mm )	Back edge to hole ctr (mm)	Hole centre to centre (mm)	
					Adjoining	Overall
DL408.32A	2	6.5	20	9	16	16
DL408.96A	2	6.5	20	9	64	64
DL408.160A	3	6.5	20	9	64	128

\* We recommend securing with NEUTRAL CURE silicone to allow future removal if necessary. Do not use liquid nails as this will prevent future removal. Do not use Acetic Cure silicones as this will not stick.

**Hole Drilling for Kethy DL408 Edge Pull**

*Kethy*

GREG STEELE TRADING  
Unit 15, 29-33 Waratah St,  
Kirrawee NSW 2232.  
Australia. 04/04/13