

FL675 & FL685 - Adjustable Furniture-Leg Cutting Confirmation Sheet

Thank you for your order. To minimise the risk of error when manufacturing, please confirm the dimensions on our cutting sheet match your requirements.

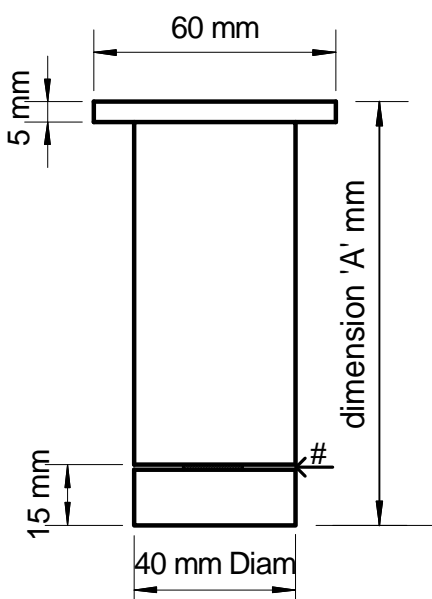
Customer:.....

Attn:.....

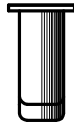
Re You Order:.....

Date:.....

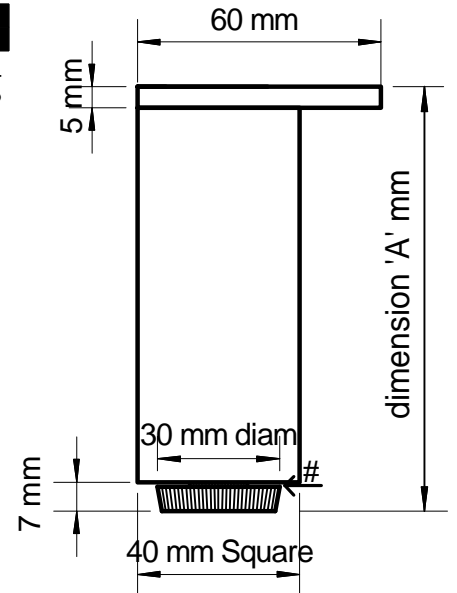
<input type="checkbox"/>	FL 675 Round Leg	● Colour Finish	<input type="checkbox"/>	MATT
<input type="checkbox"/>	FL 685 Square Leg	■ Colour Finish	<input type="checkbox"/>	MATT



● FL 675 Round Leg



FL 685 Square Leg



Quantity	● Length (dimension 'A')
# Maximum height adjustment = 10mm	

Quantity	■ Length (dimension 'A')
# Maximum height adjustment = 10mm	

Please Note: Custom made goods are non - refundable

Please confirm / complete the above size dimensions and quantities. Date and sign below then fax back to us on the above number and your order will be placed into our production schedule.

Signed:.....

Date:...../...../.....