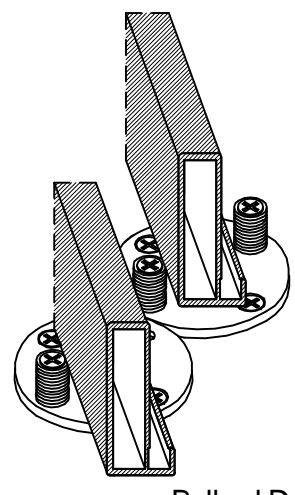
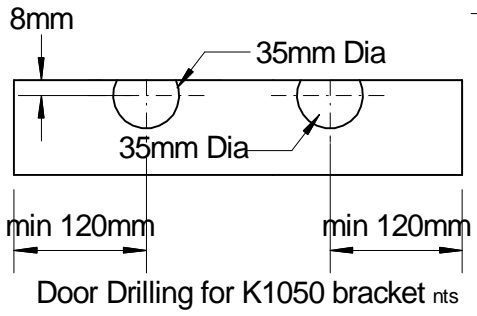
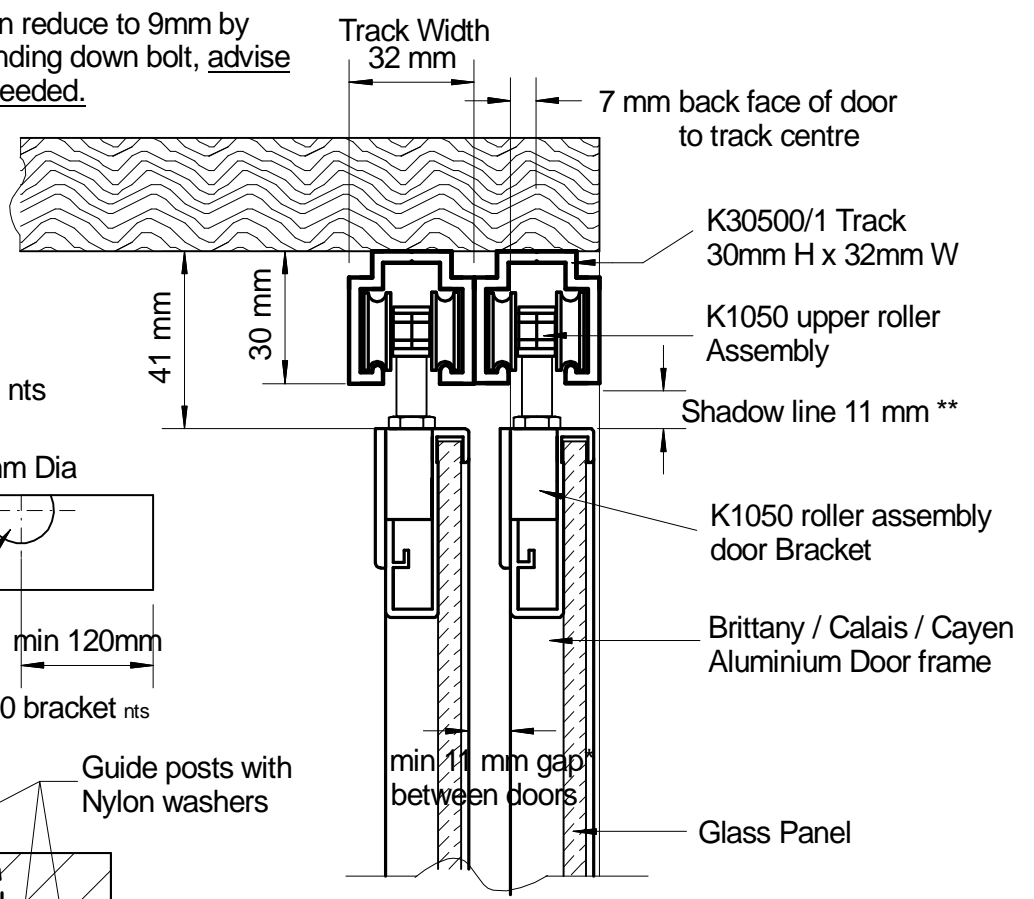


** Shadow line 11mm
(min 11mm, max 16mm)

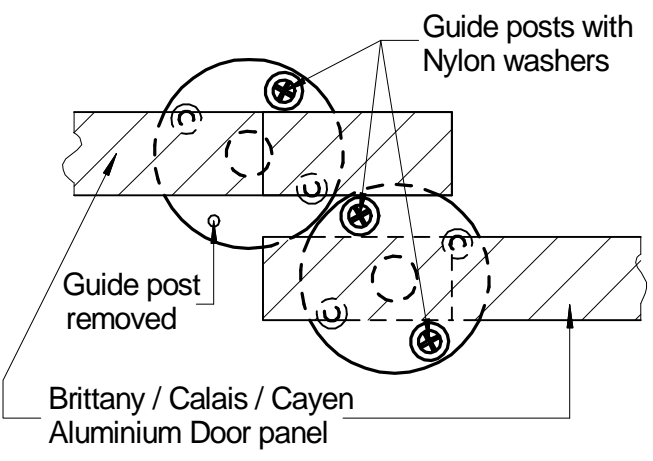
Can reduce to 9mm by grinding down bolt, advise if needed.



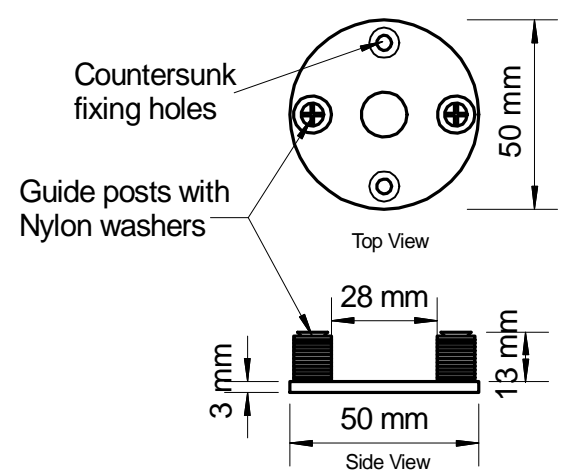
Bollard Detail nts



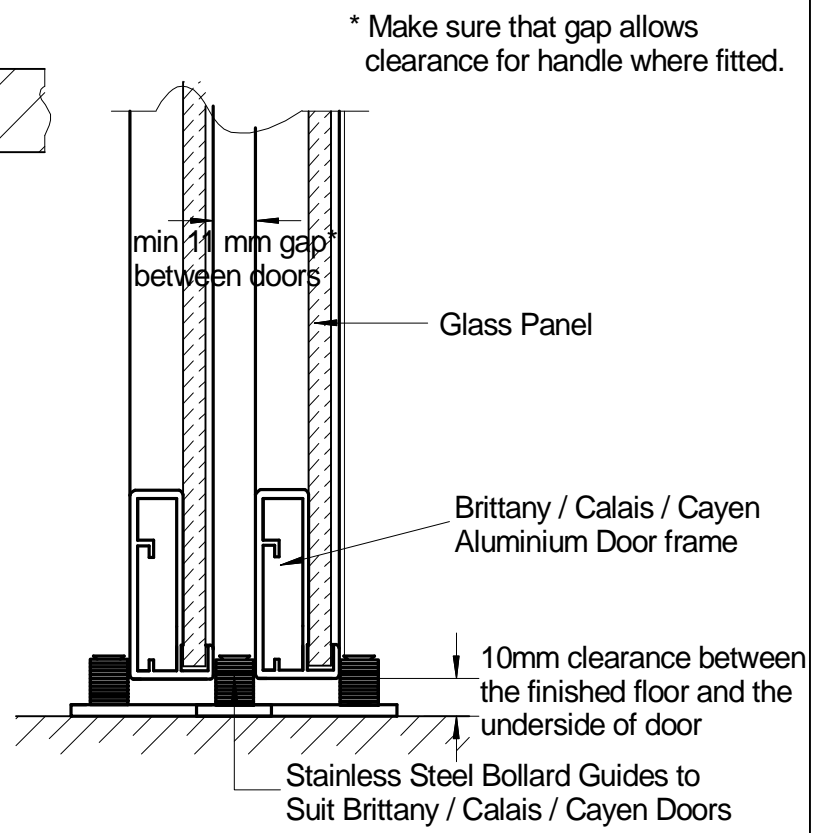
Door Drilling for K1050 bracket nts



Bollard Positioning



Stainless Steel Bollard Detail



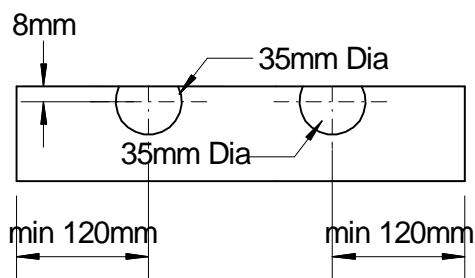
* Make sure that gap allows clearance for handle where fitted.

NOTE : 1. Use back face of front door as the starting point to work out the fixing positions.

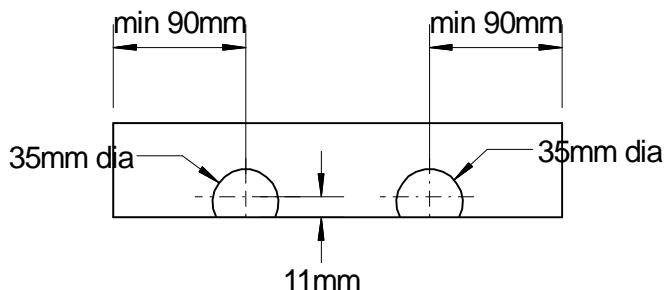
<p>GREG STEELE TRADING Unit 15, 29-33 Waratah St, Kirrawee NSW 2232. Australia.</p>	<p>Title: 1050 System upper track detail, with Stainless Steel Bollard for bottom guide. Aluminium Doors only</p> <p>Scale: 1:2 DrawnBy: Theo Balaouras Date: 12/10/08 Amended 12/08/15</p>
---	---

** Shadow line 11mm
(min 11mm, max 16mm)

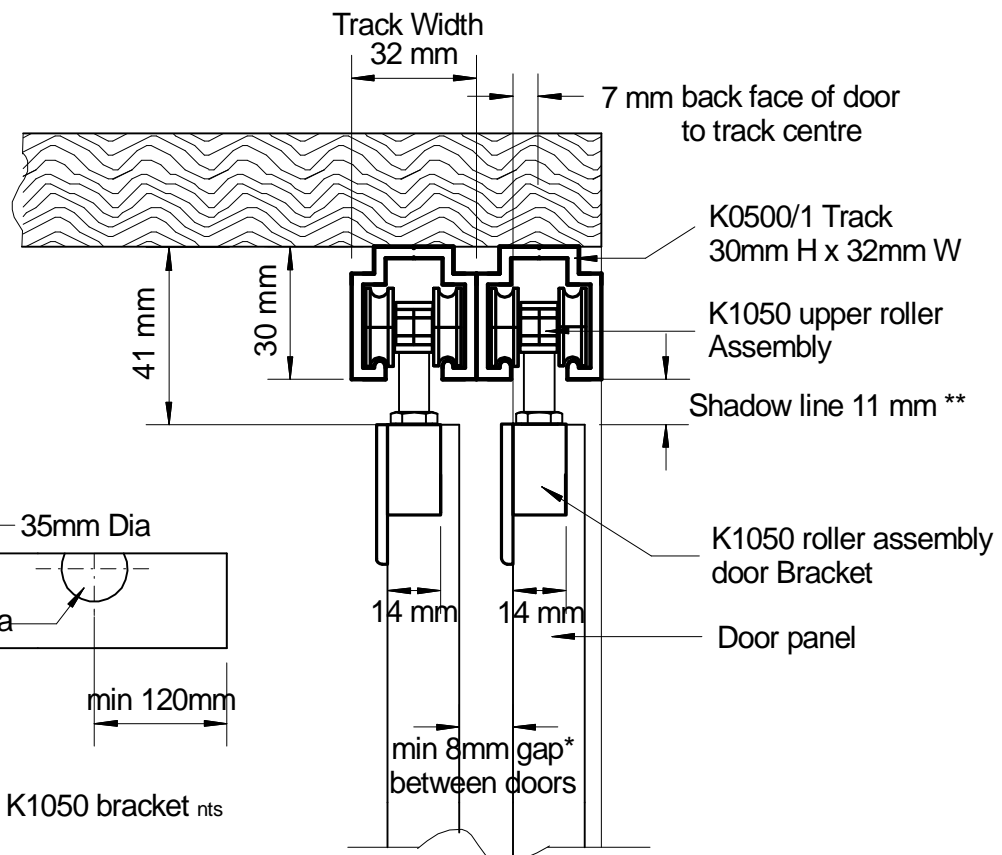
Can reduce to 9mm by grinding down bolt, advise if needed.



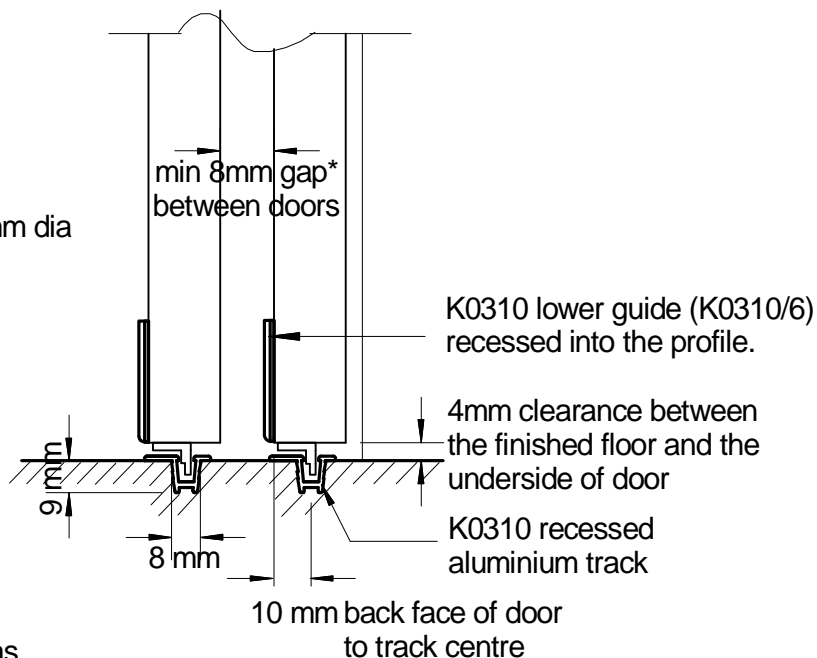
Door Drilling for K1050 bracket nts



Door drilling for K0310 lower Guide nts



* Make sure that gap allows clearance for handle where fitted.



NOTE : 1. Use back face of front door as the starting point to work out the fixing positions.

2. For thicker doors, separate the tracks to ensure minimum gap of 8mm between doors.

3. Variation in height of the opening from one side to the other to be no more than +/- 2mm.

Rethy

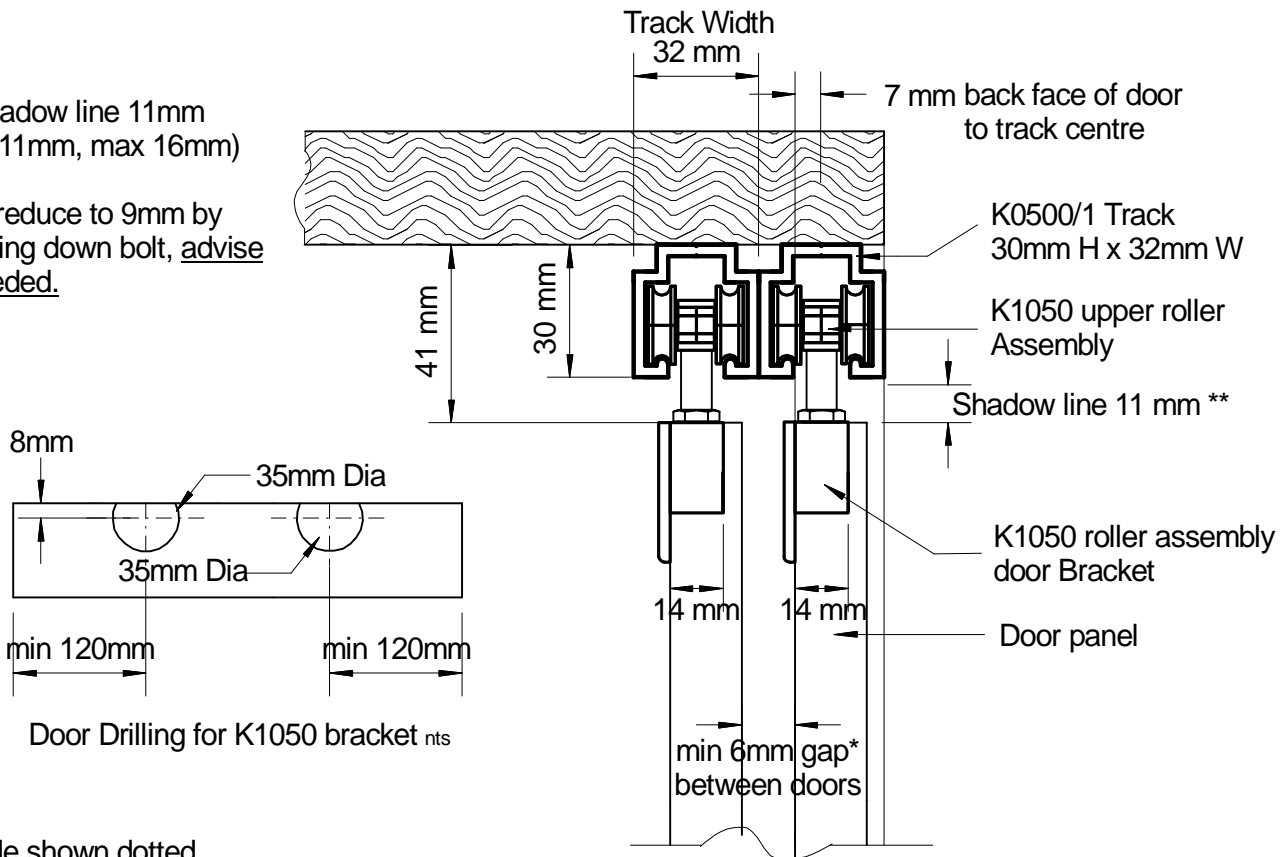
GREG STEELE TRADING
Unit 15, 29-33 Waratah St,
Kirrawee NSW 2232.
Australia.

Title: 1050 System upper track detail, using the K0310 for bottom guide. Illustrated with 19mm thick door.

Scale: 1:2 DrawnBy: Theo Balaouras
Date: 12/07/06 Amended 11/08/15

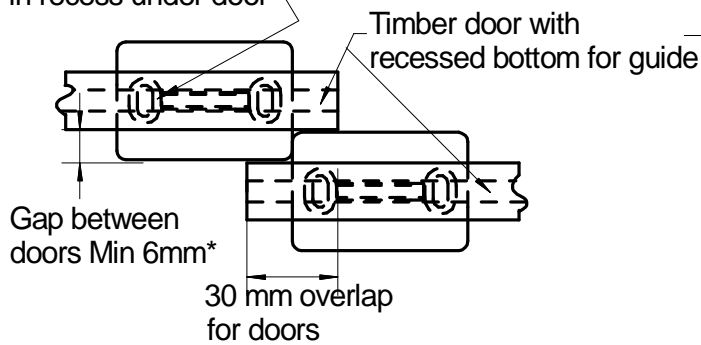
** Shadow line 11mm
(min 11mm, max 16mm)

Can reduce to 9mm by grinding down bolt, advise if needed.

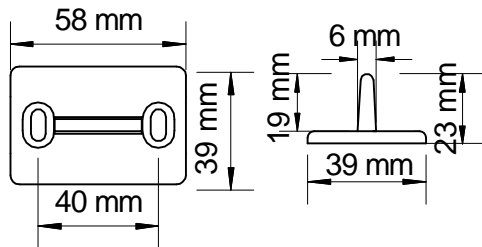


* Make sure that gap allows clearance for handle where fitted.

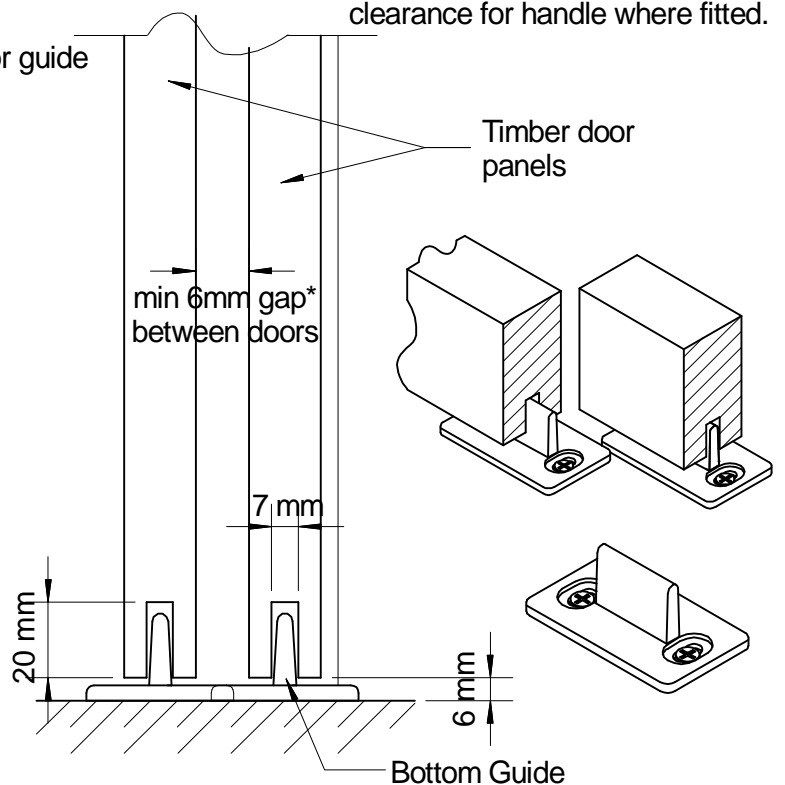
Guide shown dotted in recess under door



Plan View of bottom guide position nts



Bottom Guide Detail nts



NOTE : 1. Use back face of front door as the starting point to work out the fixing positions.

2. For thicker doors, separate the tracks to ensure minimum gap of 6mm between doors.

Rethy

GREG STEELE TRADING
Unit 15, 29-33 Waratah St,
Kirrawee NSW 2232.
Australia.

Title: 1050 System upper track detail, using the K0810/80 (fin) for bottom guide. (timber doors only)
Illustrated with 19mm thick door.

Scale: 1:2 DrawnBy: Theo Balaouras
Date: 10/11/08 Amended 12/08/15